



# DAIICHI CONCRETE PUMP

**X** *series*

**DCP-X40**

**DCP-X45**

**DCP-X50**

**DCP-X40 S**

**DCP-X45 S**

**DCP-X50 S**



※Photo:DCP-X40S

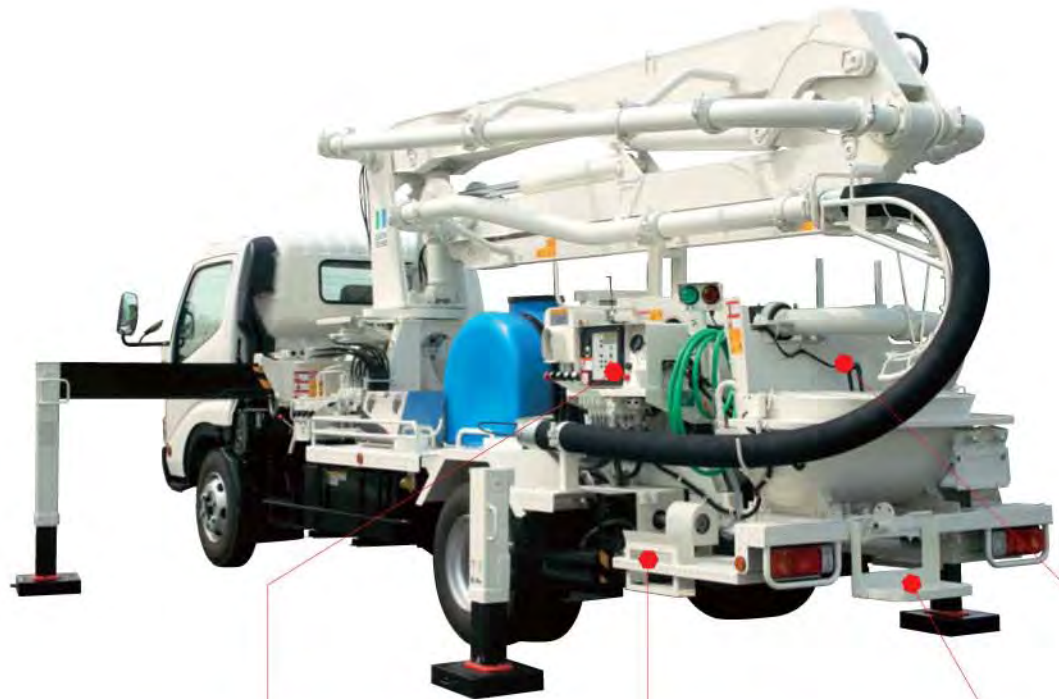
# The longest **18.5m, 5 section boom.**

(3 segments foldable + 2 segments retractable.)

# **17m, 4 section boom.**

(3 segments foldable + 1 segment retractable.)

## Well-equipped by focusing on the working efficiency and safety.



### Concentrate the functions in operation panel

Built-in radio control receiver, auto idol mechanism, and discharge rate adjuster are simply layout to easy to look at.



### Handy space for protector board

Easy to slip off the protector board without troublesome move and slip on smoothly after work.



### Outriggers supporting safe and stable work

The width of front outriggers became short to lessen the outrigger space itself, and pull out rear outriggers makes further safe and stable work.



# DCP-X40

# DCP-X45

# DCP-X50

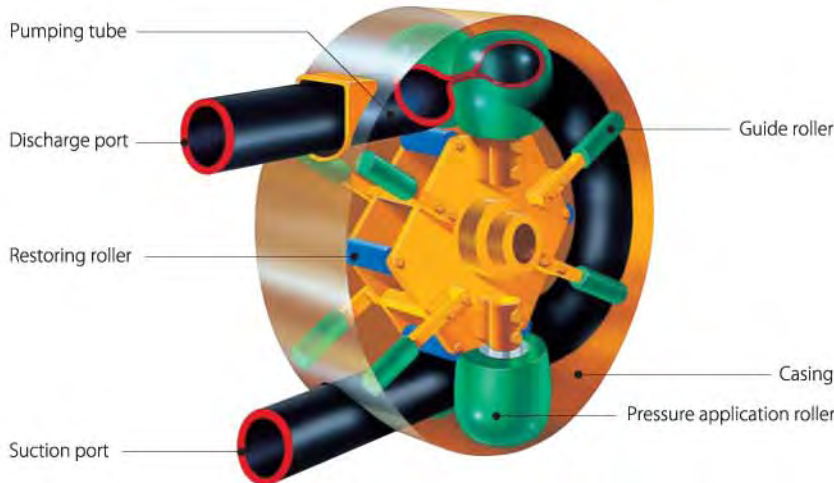
# DCP-X40S

# DCP-X45S

# DCP-X50S

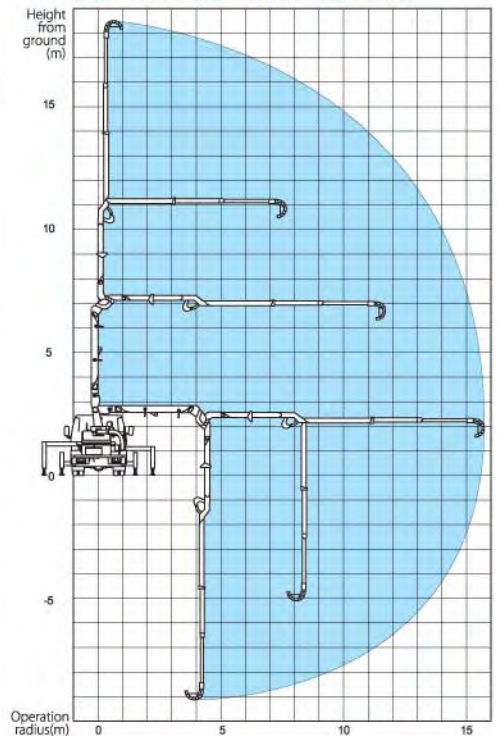
## Reliable and time-proven double roller type

- This epoch-making double roller type makes its structure ultimately simple.
- Easy operation to suck or discharge the ready-mixed concrete with no complicated devices.
- Pressure angle becomes wider to decrease the aggregate blocking and can keep the pumping performance stable at high level.



The new squeeze type of "Daiichi Techno" has been awarded a lot of patents in Japan and other countries.

### Boom operation range diagram DCP-X40 / DCP-X45 / DCP-X50



## New design hopper focusing on the working efficiency

Suction mouth set lower to reduce remaining concrete and has the curved line for easy washing.

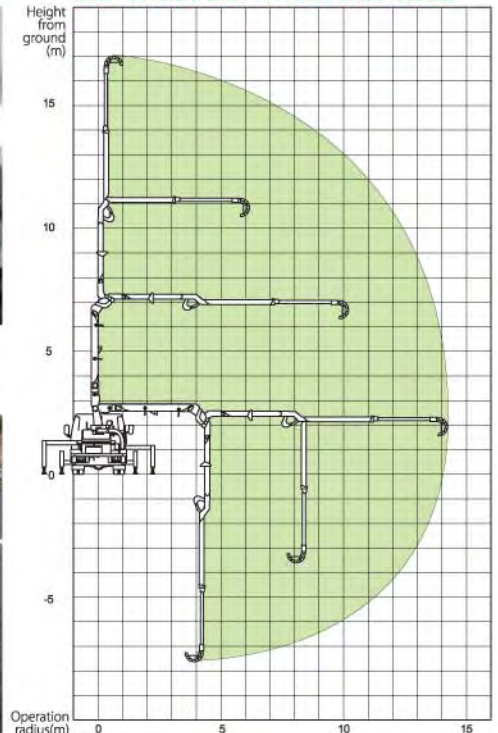


## The folding steps

We have realized the suggestions received from the fields to make the high working efficiency. Just a little gismo for an attention to workers.



### DCP-X40S / DCP-X45S / DCP-X50S



## Main specifications

	Model	DCP-X40/X40 S		DCP-X45/X45 S		DCP-X50/X50 S	
	Pump	Type	New double roller squeeze type (patented)				
	Maximum discharge rate	40m <sup>3</sup> /h		45m <sup>3</sup> /h		50m <sup>3</sup> /h	
	Maximum discharge pressure	1.6MPa					
	Maximum aggregate size	25mm					
	Concrete slump	12cm or more					
	Hopper capacity	200L					
	Pumping tube inner diameter	102mm		105mm		102mm	
	Oil tank capacity	120L					
	Oil cooler	Air cooled (electrically driven)					
Boom	Model	CT500A/CT500AS from TADANO Ltd					
	Type	Box type hydraulically-foldable 3 section+hydraulically-2 section retractable booms/Box type hydraulically-foldable 3 section+hydraulically-1 section retractable booms					
	Maximum ground height	18.5m/17m					
	Maximum operation radius	15.5m/14m					
	Swivel angle	360° continuously					
	Front outriggers	Hydraulic Simultaneous-action cylinder,direct pushing type(manual stretching type) Maximum stretching width of 4.4m					
	Rear outriggers	Hydraulic Simultaneous-action cylinder,direct pushing type(manual stretching type) Maximum stretching width of 2.8m					
	Safety equipment	Hydraulic safety valve,hydraulic cylinder lock devices,and warning buzzer					
	Concrete conveying pipe	114.3mm(OD)×4.5mm(wall thickness)					
	Cleaning	Pipe cleaning	Washing with water & sponges				
	Type	Electric water pump					
	Water tank capacity	500L					
Drive	Power takeoff	Rear P.T.O ( full power )					
	hydraulic power	Piston pump+two-staged gear pump					
Adaptive chassis	Manufacture(※ 1)	Isuzu	Hino	Isuzu	Hino	Isuzu	Hino
	Engine power	114kw(155PS)	110kw	114kw(155PS)	110kw	114kw(155PS)	110kw
Dimension	Vehicle overall length	6595mm	6530mm	6595mm	6530mm	6595mm	6530mm
	Overall width	2065mm	2010mm	2065mm	2010mm	2065mm	2010mm
	Overall height	2855mm	2860mm	2855mm	2860mm	3000mm	3000mm
Vehicle gross weight		7750/7690kg	7610/7550kg	7900/7840kg	7760/7700kg	7970/7910kg	7830/7770kg

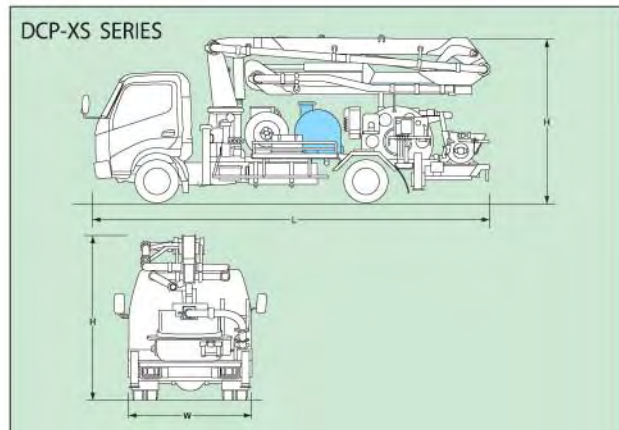
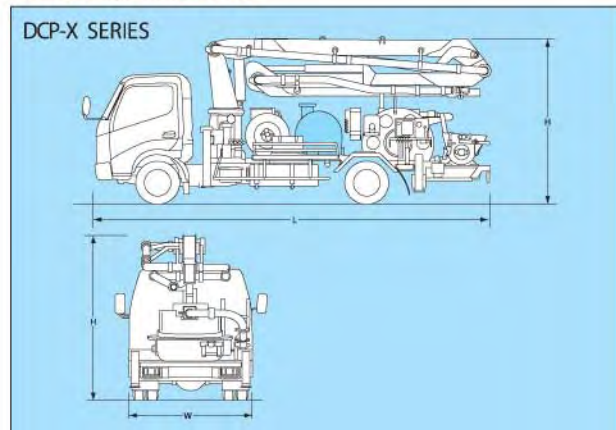
(※ 1) vehicle manufacture cord

Isuzu	PDG-NPR75N
Hino	BDG-XZU414

**Note: products may have different specifications from the above spec sheet due to improvement.**

Note 1 The maximum discharge rate refers to the reading obtained when concrete for general construction purpose (cement:300kg/m<sup>3</sup> or more /slump:18cm or larger) is fed under pressure at the maximum speed with a 30 m, Ø105 pipe set parallel.  
Note 2, Depending on various conditions (e.g.blending,sand and pebble qualities) of the concrete, the pumping performance can drastically vary.

## External dimension views



### Standard accessories

- 5: Ø105×3m steel tubes/1: Ø105×2m steel tube
- 1: Ø105×5.5m(X-series) intermediate rubber hose
- 1: Ø105×3.7m(XS-series)intermediate rubber hose
- 1: Ø105~Ø85tapered tube attached×6m leading end hose
- 10: 100G easy connects and disconnects joints
- 5: sponges
- 1: pumping tube( spare)
- One set: tools
- One set: cartridge grease pump

- special operation training is required to operate concrete pump vehicle.
- specific inspection is necessary once a year.
- drive the vehicle that is passed the inspection to run on the road.

# DAIICHI TECHNO

Headquarters : 1-31 Chiyoda, Fukuju-cho, Hashima-shi, Gifu-ken 501-6256 Japan

Phone # +81 58-391-7711(pilot), Fax # +81 58-391-1711

URL. <http://www.daiichi-techno.com>